

myTEM Touch Add-on / Touch Add-on Glossy
MTTOU-100 / MTTOU-500

The myTEM Touch Add-on and the myTEM Touch Add-on Glossy are controls with five touch-sensitive buttons. They are always used together with a myTEM Switch Plus or a myTEM FT DIN SIX. The touch panel is powered by these devices and they also transmit the key signals to the central controller. In addition, a temperature and humidity sensor is integrated.

The device is intended for wall mounting over a flush-mounted box.

Further information can be found on our website:
www.mytem-smarthome.com/web/en/downloads/



ATTENTION:

This device is not a toy. Please keep it away from children and animals!

Please read the manual before attempting to install the device!

These instructions are part of the product and must remain with the end user.

Warning and safety instructions

WARNING!

This word indicates a hazard with a risk that, if not avoided, can result in death or serious injury. Work on the device must only be carried out by persons with the necessary training or instruction.

CAUTION!

This word warns of possible damage to property.

SAFETY INSTRUCTIONS

- Operate this device only as described in the manual.
- Do not operate this device if it has obvious damage.
- This device shall not be altered, modified or opened.
- This device is intended for use in buildings in a dry, dust-free location.
- This device is intended for wall mounting over a flush-mounted box.

DISCLAIMER

All rights reserved. This is a translation from the original version in German.

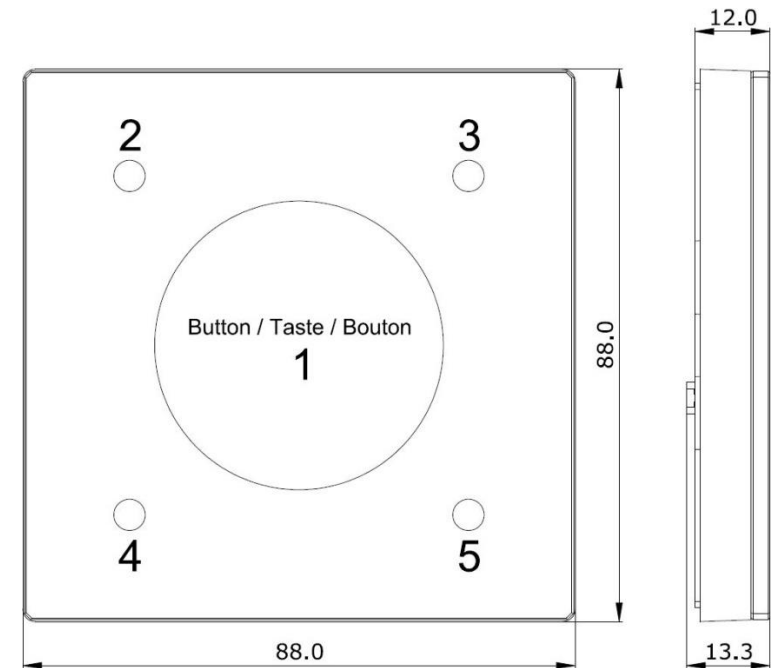
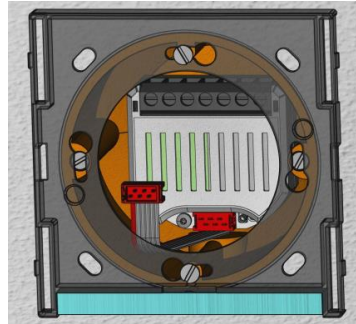
This manual may not be reproduced in any format, either in whole or in part, nor may it be duplicated or edited by electronic, mechanical or chemical means, without the written consent of the publisher.

The manufacturer, TEM AG, is not liable for any loss or damage caused by failure to follow the instructions in the manual.

Typographical and printing errors cannot be excluded. However, the information contained in this manual is reviewed on a regular basis and any necessary corrections will be implemented in the next edition. We accept no liability for technical or typographical errors or the consequences thereof. Changes may be made without prior notice as a result of technical advances. TEM AG reserves the right to make changes to product design, layout and driver revisions without notice to its users. This version of the manual supersedes all previous versions.

WARNING! To avoid electrical shock and/or equipment damage, disconnect power to the main fuse or circuit breaker before installation or maintenance. Prevent the fuse from being accidentally switched on again and check that the system is de-energized.

- Switch off the mains voltage (break fuse) during installation.
- Install the separately available myTEM Switch Plus or myTEM FT DIN SIX according to its manual and connect the enclosed ribbon cable.
- Fix the wall base over the flush-mounted box. In general the light guide should be oriented to the bottom.
- Insert the ribbon cable into the touch panel and snap the unit onto the wall base.
- Further installation according to the manuals of the myTEM Switch Plus or myTEM FT DIN SIX.



Trademarks

myTEM and TEM are registered trademarks. All other product names mentioned herein may be trademarks or registered trademarks of their respective companies.

Product description

The myTEM Touch Add-on and the myTEM Touch Add-on Glossy are controls with five capacitive buttons. They are always used together with myTEM Switch Plus or a myTEM FT DIN SIX. The touch panel is powered by these devices and they also transmit the key signals to the central controller.

In addition, a temperature and humidity sensor, as well as a multi-colored illumination LED is integrated. The color of this light can be adjusted to your preference and it is gently distributed via a light guide. Like this the touch panel is visible in the dark without being obtrusive.

The buttons can be freely assigned to functions via the myTEM Smart Home App or the myTEM ProgTool, for example for switching lamps, operating blinds, etc.

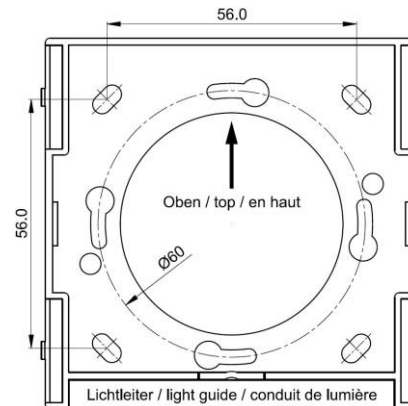
Installation

CAUTION! The myTEM Touch Add-on or myTEM Touch Add-on Glossy requires a myTEM Switch Plus or a myTEM FT DIN SIX. These must be installed in a flush-mounted box in compliance with relevant national safety standards and with a depth of not less than 60 mm. For more information about their installation, please refer to the corresponding instructions.

Quick trouble shooting

The following hints may help solving trouble.

- For maximum reach, place the antenna of the myTEM Radio Switch Plus upright and as far away from metal parts and the wiring as possible.
- If the wall is rough or plastered only low light may be emitting from the device. In this case, install washers between the wall and the wall base.
- On an uneven wall, the wall socket may bend, making it impossible to properly attach the touch panel. In this case, install washers for height compensation in some places between the wall and the wall base.



Technical specifications

| | | |
|-----------------------------------|---|---|
| Dimensions (W x H x D) | 88 x 88 x 12 mm (height above wall) | |
| Installation / mounting | Wall mounted above flush-mounted box Ø 60 mm | |
| Operating voltage | 3.3 VDC (supply on ribbon cable from a Radio Switch xxxx Plus / FT DIN SIX) ²⁾ | |
| Power consumption in standby | Device for continuous operation | |
| Power consumption in operation | 0.2 W | |
| Ambient temperature for operation | 0 °C – 40 °C | |
| Ambient temperature for storage | -20 °C – 60 °C | |
| Ambient humidity | 5 %RH – 85 %RH (non condensing) | |
| Degree of protection of enclosure | IP 40 (after installation) | (according to EN 60529) |
| Protection class | II | (according to EN 60730-1) |
| Overvoltage category | II | (according to EN 60730-1, resp. EN 60664-1) |
| Pollution degree | 2 | (according to EN 60730-1) |
| Safety | EN 60730-1:2016 + A1:2019 | EN IEC 60730-2-9:2019 + A2:2020 EN IEC 60730-2-13:2018 / AC:2018 |
| | EN 60730-1:2016 + A1:2019 | EN IEC 60730-2-9:2019 + A2:2020 EN IEC 60730-2-13:2018 / AC:2018 |
| EMC | EN IEC 61000-6-2:2019 | EN 61000-6-3:2007 + A1:2011/AC:2012 |
| RoHS | EN IEC 63000:2018 | |
| CE conformity | CE | 2014/30/EU (EMC) 2011/65/EU (RoHS) |

²⁾ xxxx represents e.g. Dual, Shutter or Dimmer